

Problem Set:

Name:

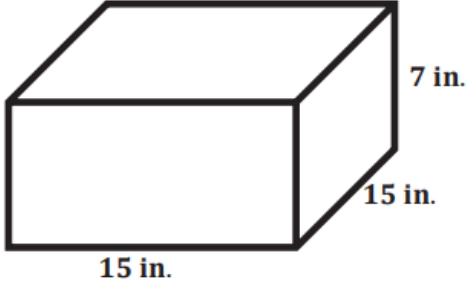
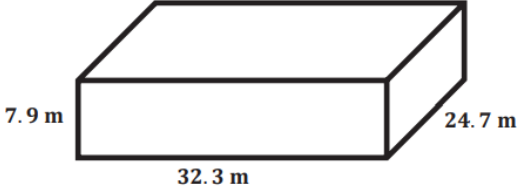
Date:

Block/Roster #

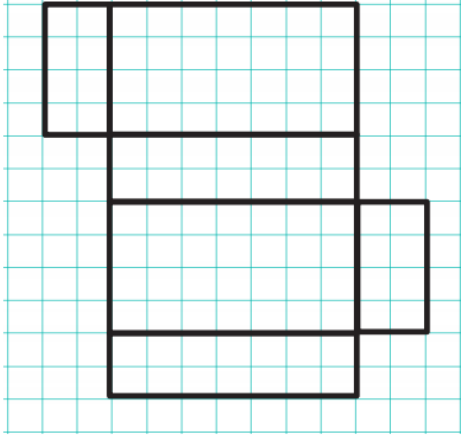
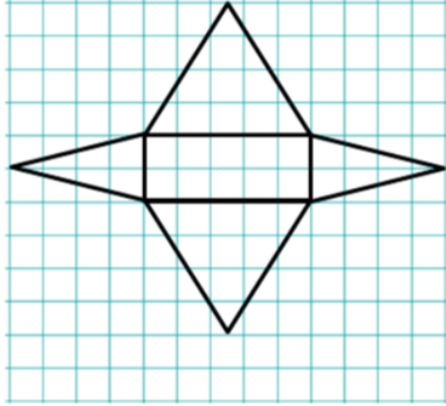
Problem Set G6 M5

L17/18

Calculate the surface area of each figure below. Figures are not drawn to scale.

<p>1)</p> 	<p>2)</p> 
--	---

Name the shape, and write an expression for surface area. Calculate the surface area of the figure. Assume each box on the grid paper represents a 1 ft. × 1 ft. square.

<p>3)</p> 	<p>4)</p> 
---	--

Show all work. You do not need to draw the pictures. Number your work and show all steps.